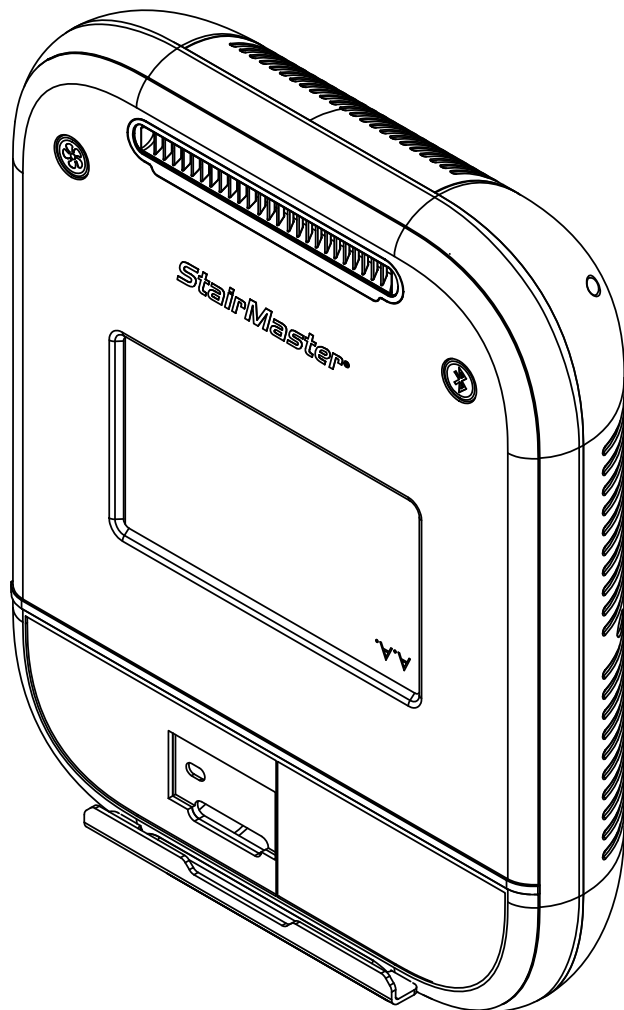


- NOTES:
1. USE NON MARKING, LOW TACK, CLEAR TAPE TO HOLD BACK PLASTIC
 2. CLEAN MATING SURFACE WITH DENATURED ALCOHOL PRIOR TO ADHERING
 3. APPLY 13-17 lb-in / 1.5-1.9 N-m TORQUE TO SCREWS
 4. APPLY 8 -12 lb-in / 0.9-1.4 N-m TORQUE TO SCREWS
 5. APPLY PRESSURE FOR AT LEAST 5 SEC FOR ADHESIVE TO ADHERE TO PLASTIC SHROUD
 6. COLOR DESIGNATOR -XX SPECIFIED IN SOP 620-8222

REVISION HISTORY				
REV	DATE	DESCRIPTION	ECO	BY
A	11/4/2015	PRODUCTION RELEASE	15176	BB
B	1/8/2016	REMOVE: 701-0192 (1), 020-7434-XX (1); ADD: 701-0193 (1), 701-0183-XX	15220	BB
C	2/13/2017	ADDED: 701-0219-XX (1), 701-0245 (1), 701-0246 (1), 701-0062 (1), 701-0241 (1), 701-0053 (1), 701-0265 (1), 701-0289 (1), 701-0244 (1), 140-3644 (6), 701-0286 (1), 110-4003 (4), 120-3431 (4), 701-0267 (2), 440-0286 (1) & SHEET #3 REMOVED: 020-7591-XX, 220-0295, 701-0054, 701-0075, 701-0192, 701-0193, 718-5196, 020-7446, 715-3946 & 050-2367 QTY CHANGED: 701-0049 (QTY IS 1, WAS 2), 110-3163 (QTY IS 30, WAS 34)	15653	ZDH



ITEM NO.	PART NUMBER	DESCRIPTION	QTY.
1	020-7435-XX	PLASTIC, DISPLAY. REAR, UPPER COVER, BCS	1
2	020-7440-XX	BRACKET, MAG RACK	1
3	020-7445-XX	PLASTIC, DISPLAY, FAN VENT	1
4	020-7589	PLASTICS, DISPLAY, EMBED, 10in, INSERT	1
5	050-2368	LABEL, BCS, START/STOP	1
6	110-3148	NUT, M3, HEXAGON, ISO4762	2
7	110-3163	SCREW, M3x0.5, 8mm, PHT, PH, CS, ZP, TC, Grd-10.9	30
8	110-3229	Screw, M3x0.5, 10mm, PHM, PH, CS, ZI	2
9	110-3402	SCREW, #8-18, 3/4", HI-LOW, PHT, PH, CS, BO	17
10	110-3631	STANDOFF, M3, 10mm x 6mm, 18-8 STAINLESS	2
11	110-3638	SCREW, #8-18, 1.25", HI-LOW, PHT, PH, CS, BO	7
12	140-3597	FOAM, ADHESIVE, 109mm X 1/8" THICK	2
13	140-3598	FOAM, ADHESIVE, 252.2mm X 1/8" THICK	2
14	240-6918	CONNECTOR, 8-PIN, 90-DEG	2
15	701-0013	ASSY, PCB, Fan- LED	1
16	701-0023	ASSY, PCB, RUBBER, BLUETOOTH	1
17	701-0027	ASSY, FAN ASSEMBLY	1
18	701-0030	ASSY, SERVICE LIGHT	1
19	701-0031	ASSY, PCB, RUBBER, FAN	1
20	701-0049	ASSY, CABLE, FAN KEY	1

ITEM NO.	PART NUMBER	DESCRIPTION	QTY.
21	701-0050	ASSY, CABLE, FAN-LEDS, BCS	1
22	701-0064-GFC10	PCB, BRAIN BOARD, CBSDU, G/FC, 10" EMBEDDED	1
23	701-0066	ASSY, WAHOO BLE	1
24	701-0072	CABLE, LCD TO BB	1
25	701-0183-XX	KIT, REAR PLASTIC & DECAL, BCS, GD3, STAIRMASTER	1
26	701-0185	10in EMBED	1
27	701-0187	PCBA BOARD	1
28	715-3864	ASSY, WIRELESS HR, POLAR, 92cm L.R.	1
29	701-0241	ASSY, CABLE, FAN-BLE KEY	1
30	701-0244	ASSY, CABLE, WIRELESS HR	1
31	701-0289	ASSY, CABLE, GROUNDING, 10in EMB, BCT	1
32	701-0245	CABLE, CSAFE	1
33	701-0246	CABLE, POWER, MYE RECEIVER	1
34	701-0219-XX	PLASTIC, DISPLAY, 10in EMBED, DECORATIVE, GFC, W/INSERTS	1
35	701-0265	CABLE, WAHOO TO EMBEDDED HDMI DAUGHTER BOARD	1
36	701-0053	ASSY, CABLE, SERVICE LEDES	1
37	701-0062	ASSY, ENTERTAINMENT INSERT, BLANK	1
38	701-0286	DISP BOARD, RELIEF BRACKET, BCS	1
39	440-0286	FERRITE, CLAMP ON, 9MM, 35 OHM	1
40	701-0267	CABLE, USB IBS1U TO FP, GD3 EMBEDDED	2
41	140-3644	LOOP CLAMP, 1/2"	6
42	120-3431	WASHER, FLAT, M3, 3.21Dx9.0Dx0.8TH, CS, ZP	4
43	110-4003	SCREW, M3x0.5, 10mm, PHT, PH, CS, ZP, TC, Grd-10.9	4

DOCUMENT STATUS:

NOTICE OF PROPRIETARY INFORMATION
THIS DOCUMENT SHALL NOT BE REPRODUCED NOR SHALL THE INFORMATION CONTAINED HEREIN BE USED BY OR DISCLOSED TO OTHER EXCEPT AS EXPRESSLY AUTHORIZED BY CORE HEALTH & FITNESS, LLC.

CLASS OF WORK	UNLESS OTHERWISE SPECIFIED DIMS ARE IN mm. TOLERANCES FOR MEASURE OF LENGTH ARE:								ANGLES = ±2°
	0.5 to 3	> 3 to 6	> 6 to 30	> 30 to 120	> 120 to 400	> 400 to 1000	> 1000 to 2000	> 2000	
FINE	±0.05	±0.05	±0.1	±0.15	±0.2	±0.3	±0.5	----	
MEDIUM	±0.1	±0.1	±0.2	±0.3	±0.5	±0.8	±1.2	±2	
COARSE	±0.2	±0.3	±0.5	±0.8	±1.2	±2	±3	±4	
VERY COARSE	----	±0.5	±1	±1.5	±2.5	±4	±6	±8	

MATERIAL SEE BOM	THIRD ANGLE PROJECTION
FINISH N/A	
VENDOR: N/A	P/N: N/A

DRAWN			DATE			CORE PART NO.			REV		
BB			11/4/15			701-0188-XX			C		
CHECKED						TITLE					
APPROVED						ASSY, 10in EMBED, GFC					
U.O.M.			MM			SCALE: 1:20		SHEET 1 OF 3		SHEET SIZE: B	

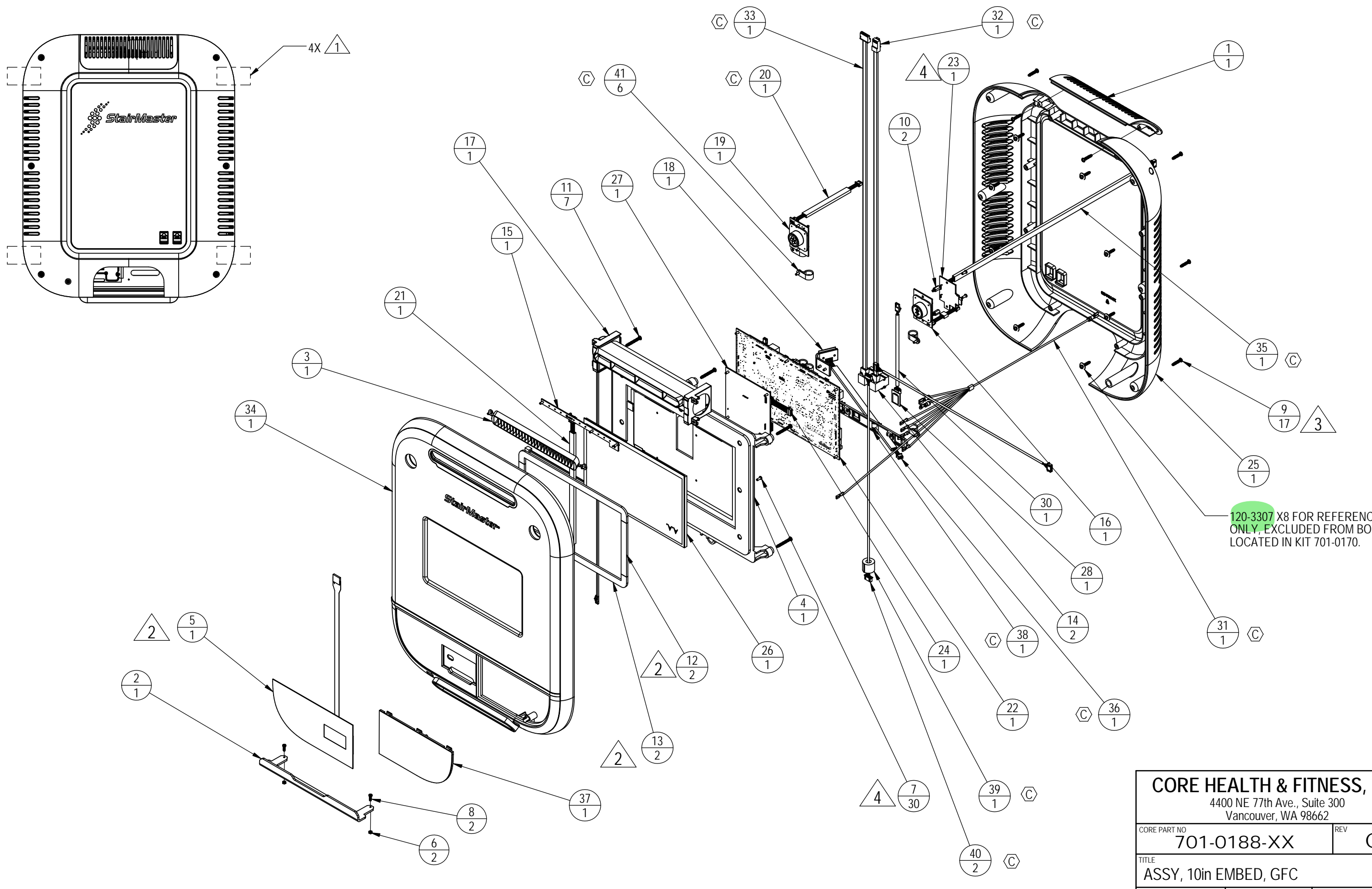
CORE HEALTH & FITNESS, LLC

4400 NE 77th Ave., Suite 300
Vancouver, WA 98662

CORE PART NO: 701-0188-XX REV: C

TITLE: ASSY, 10in EMBED, GFC

SCALE: 1:20 SHEET 1 OF 3 SHEET SIZE: B



120-3307 X8 FOR REFERENCE ONLY, EXCLUDED FROM BOM. LOCATED IN KIT 701-0170.

CORE HEALTH & FITNESS, LLC		
4400 NE 77th Ave., Suite 300 Vancouver, WA 98662		
CORE PART NO	701-0188-XX	REV C
TITLE ASSY, 10in EMBED, GFC		
SCALE: 1:20	SHEET 2 OF 3	SHEET SIZE: B

ROUTE 701-0265 & 701-0289 THRU
140-3644 (MOUNTED TO 020-7589)

ROUTE 701-0245 & 701-0246 THRU
140-3644 (MOUNTED TO 050-7589)

ROUTE 701-0049, 701-0050
& 701-0289 THRU 140-3644
(MOUNTED TO 050-7589)

ROUTE 701-0267 & 701-0289 THRU
140-3644 (MOUNTED TO 020-7589)

ROUTE 701-0053 & 701-0244 THRU
140-3644 (MOUNTED TO 050-7589)

ROUTE 701-0245 & 701-0246 THRU
140-3644 (MOUNTED TO 050-7589)

43 42 41
4 4 6

41 11
6 7

ROUTE 050-2368 RIBBON THRU
BLANK CLAMP ON 701-0286

LOCATION FOR 715-3864 \triangle 2 \triangle 5

CORE HEALTH & FITNESS, LLC
4400 NE 77th Ave., Suite 300
Vancouver, WA 98662

CORE PART NO	REV
701-0188-XX	C

TITLE
ASSY, 10in EMBED, GFC

SCALE: 1:20	SHEET 3 OF 3	SHEET SIZE: B
-------------	--------------	---------------